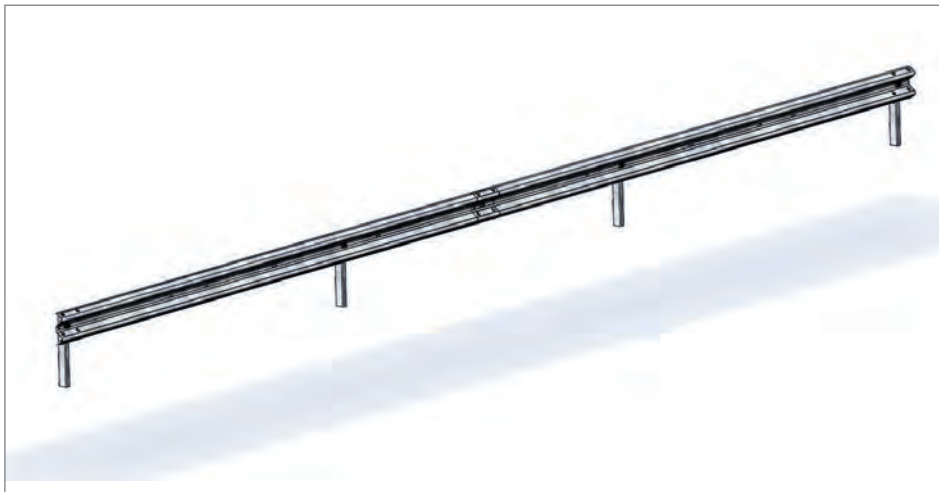


AXIMUM**Produits
de sécurité**

EVOL GS 4.0

Single sided system on ground, from the new Aximum EVOL line performing working width W2 to W5.

**CERTIFIED
PRODUCT****Containment level**

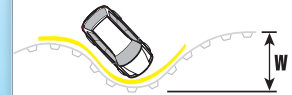
▶ N2



1,5 t

**Working width**

▶ W4 (1,30 m)

**Dynamic deflection**

▶ D (1,19 m)

**Impact severity level**

ASI ▶ A



BENEFITS

- . Identical components for all EVOL devices (N2W5 to N2W2); facilitates the management of stocks and ensures compliance of devices installed.
- . Full connecting compatibility with all NF devices (GSA, BN4, BHO, BN5, ...), all concrete structures (DBA, MVL, GBA, ...) and other CE devices.
- . Easy to install.
- . Can be equipped with reflectors, ...
- . Light system.
- . Easy to maintain and repair.
- . Product tested according to the European standard EN 1317-1 and 2.
- . Powder coating on request.



TECHNICAL SPECIFICATIONS

Description:

Galvanised single sided system on ground composed of A profil beam, C100 post, fixing plate and bolts.



ACCESSORIES / OPTIONS

Terminal end:

- . 12 m length into the ground.
- . Possible connexion to other devices (crash cushions, tested terminals...)

Radius:

- . $100\text{ m} < R \leq 200\text{ m}$: Evol GS4.0
- . Possible bending of the beam under 40 m radius.



INSTALLATION

Height of the system:

- . $H = 0.75\text{ m}$.
- . Posts to be driven into the ground c/c 4 m.

