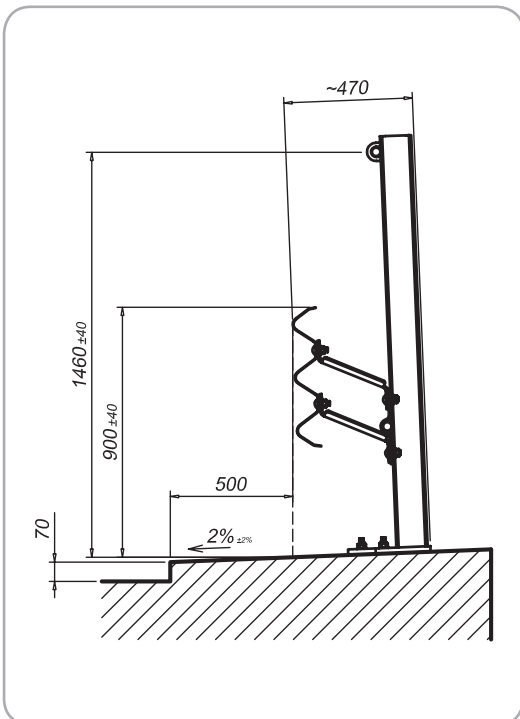


SINGLE SIDED SAFETY BARRIER ON BRIDGE

H3-W5-A (3n36706)



Performance	
Containment level	H3
Acceleration Severity Index "ASI"	A
Working width	W5 (1,60 m)
Extreme lateral position of the vehicle	-
Dynamic deflection	1,50 m

Characteristics	
Height out of ground	1460 mm
Transversal overall dimensions	470 mm
Centre to centre between posts	2250 mm
Tested minimum length (without terminal ends)	78 m



Description

Supply and installation of a 3-wave safety barrier, thickness 4,0 mm, HE120A H =1500, fixed to ground every 2250 mm; spacers 250 x 260 x 8 mm L=80 mm, assembled with nuts and bolts and provided with reflectors.

S235JR - S355JR steel quality according to EN 10025

Hot dip galvanization according to UNI EN ISO 1461

Nuts and bolts according to UNI EN ISO 898-1, UNI EN 20898-2

The safety barrier has successfully passed the tests required by EN 1317, part 1 and 2.

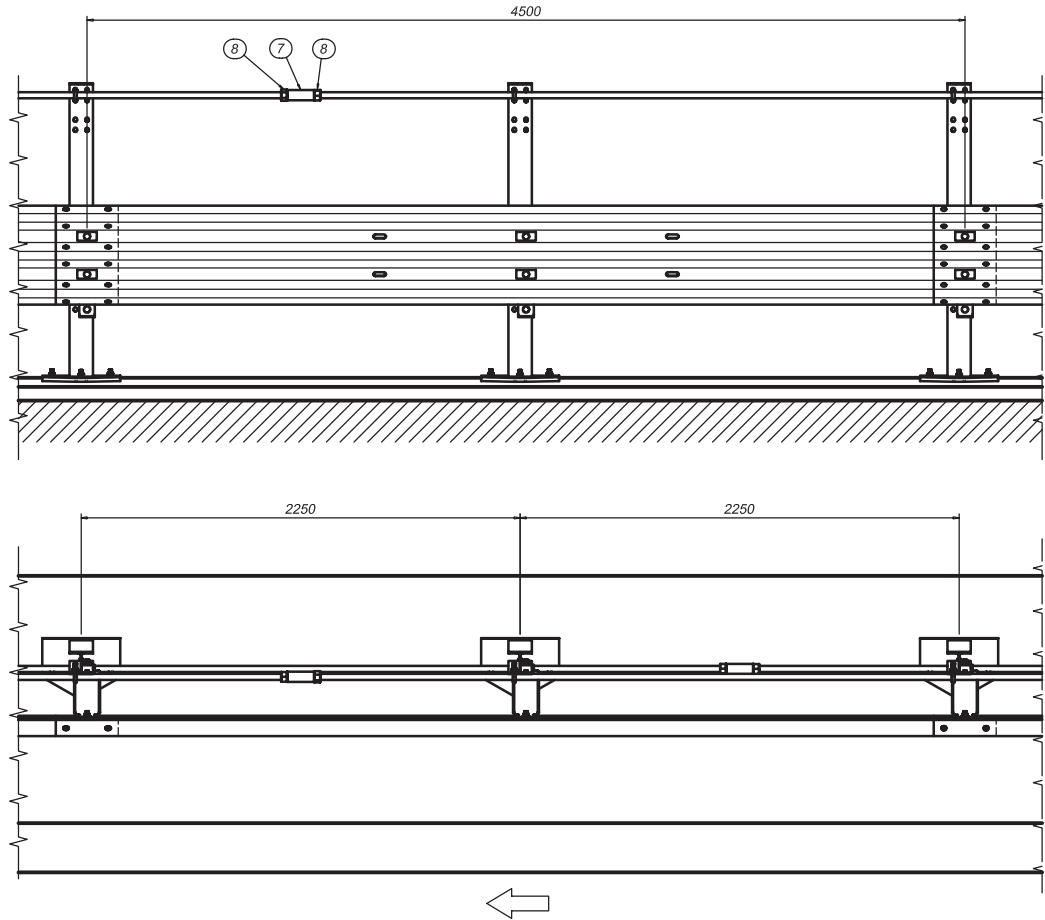
Certificate CE n.218/2131/CPD/2012



1

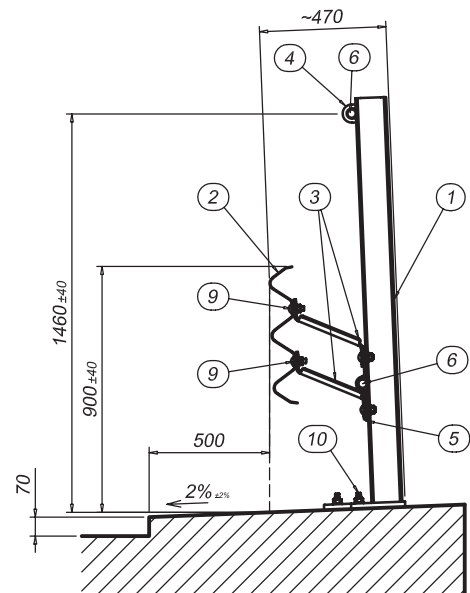


Elevation



Section

	Descrizione
1	HE120A post H=1500 mm + plate 300x400x20 mm
2	"3n" beam c/c.4500 mm th.3,0 mm
3	Spacer 250x260x8 mm L=80 mm
4	Clamp \varnothing 14,7 partially threaded M16
5	Omega plate 80x275 mm th. 8 mm
6	Threaded bar \varnothing 32 L=9,00 m
7	Connector
8	Nuts
9	Cover plate 100x45x5 mm
10	M18 TSM B16 anchor bolts L=220 mm + nut and washer



Revision 1 of 10/05/2012



SINGLE SIDED SAFETY BARRIER ON BRIDGE
H3-W5-A (3n36706)

