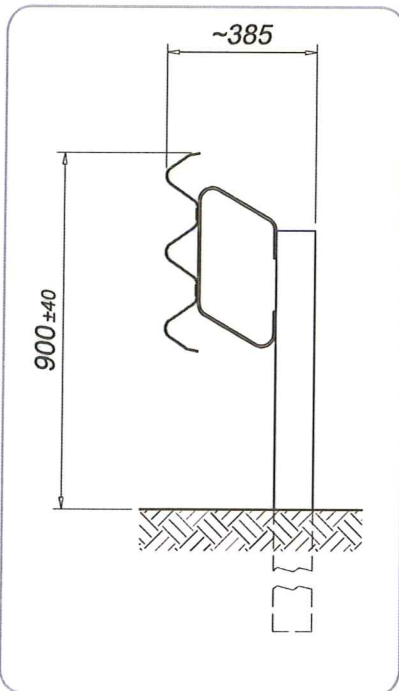
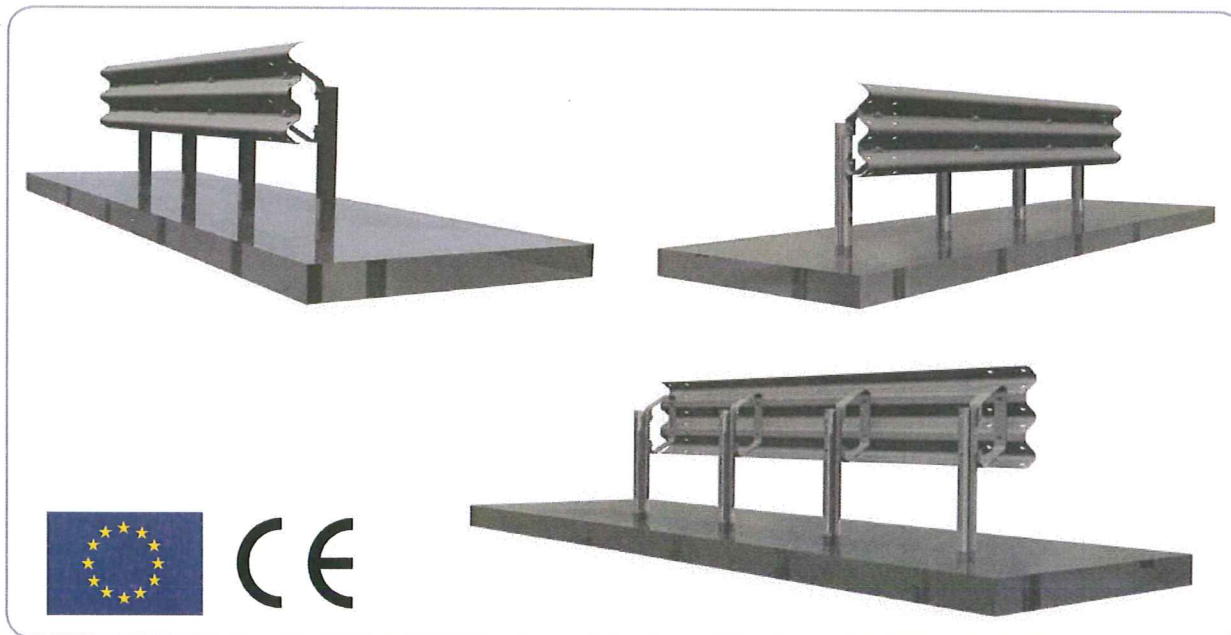


SINGLE SIDED SAFETY BARRIER ON GROUND H2-W3-A (3n36060)



Performance	
Containment level	H2
Acceleration Severity Index "ASI"	A
Working width	W3 (1.00 m)
Extreme lateral position of the vehicle	m
Dynamic deflection	m

Characteristics	
Height out of ground	900 mm
Transversal overall dimensions	385 mm
Centre to centre between posts	1000 mm
Tested minimum length (without terminal ends)	66 m



Description

Supply and installation of a 3-wave safety barrier, thickness 4,0 mm, C100x50x25x4,0 mm H= 1700 mm, fixed to ground every 1000 mm; spacers 407x201x5.9 mm L=80 mm, assembled with nuts and bolts and provided with reflectors.

S235JR-S355JR steel quality according to EN 10025 EN 10025

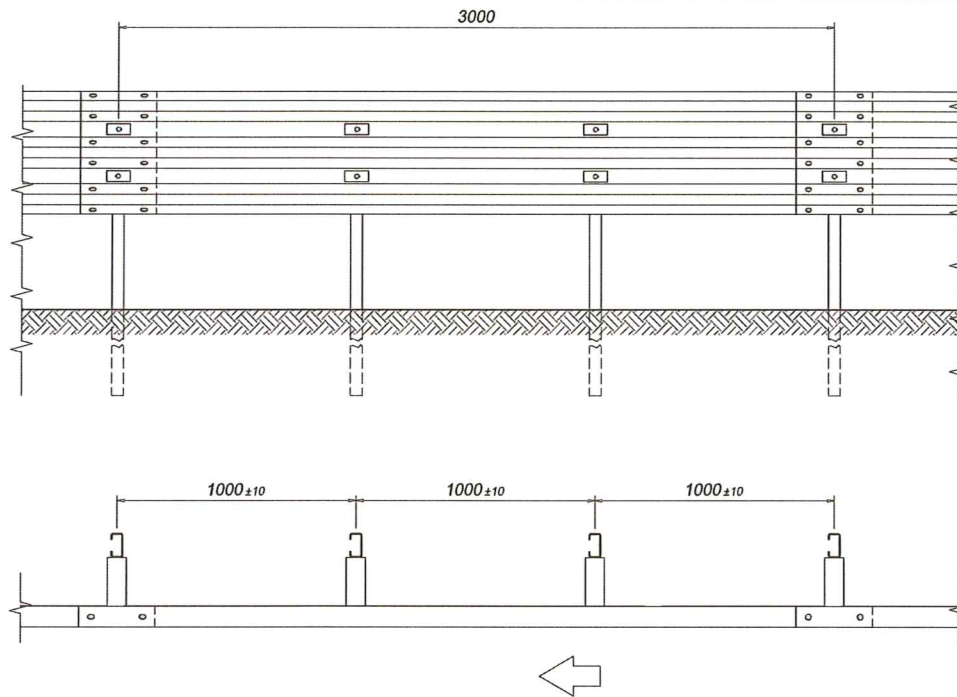
Hot dip galvanization according to UNI EN ISO 1461

Nuts and bolts according to UNI EN ISO 898-1, UNI EN 20898-2

The safety barrier has successfully passed the tests required by EN 1317, part 1 and 2.



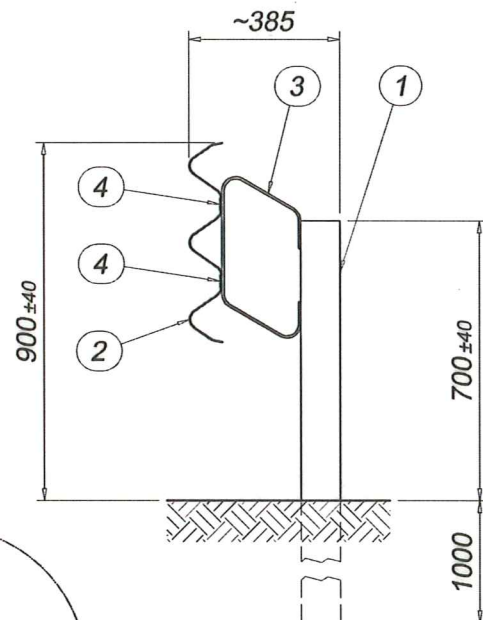
Elevation



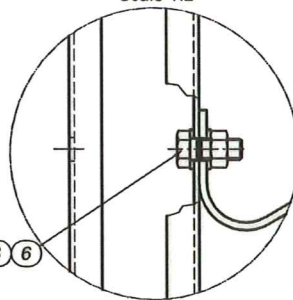
Section

Description	
1	C post 100x50x25x4,0mm; H= 1700 mm
2	"3n" Beam c/c 3000 mm th. 4,0 mm
3	Spacers 407x201x5.9 mm L=80 mm
4	Plate 100x45x5 mm

Torque value	
M10 x 30	30 Nm
M16 x 30	90 Nm
M16 x 45	90 Nm



DETAIL A
Scale 1:2



986

