

Performance	
Containment level	N2/H1
Acceleration Severity Index "ASI"	A
Working width	W2 (0,8) W3(1,0)
Extreme lateral position of the vehicle	N.A./ 1,5 m
Dynamic deflection	0,7/0,9 m

Characteristics	
Height out of ground	750 mm
Transversal overall dimensions	217 mm
Centre to centre between posts	2000 mm
Tested minimum length	70 m



Description

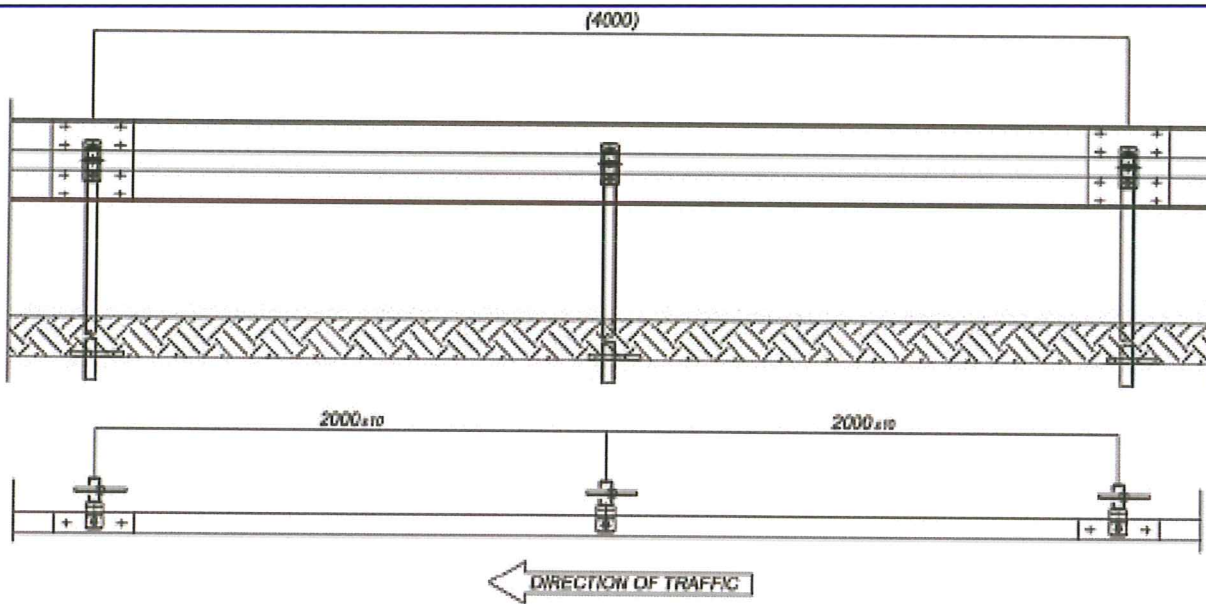
Supply and installation of safety barrier, with 2-waves beam thickness 2,5 mm, posts C100x50x25mm H 1400 mm, driven into the ground every 2000 mm, complete with assembly bolts and reflectors.

S355JR steel in quality-according EN 10025

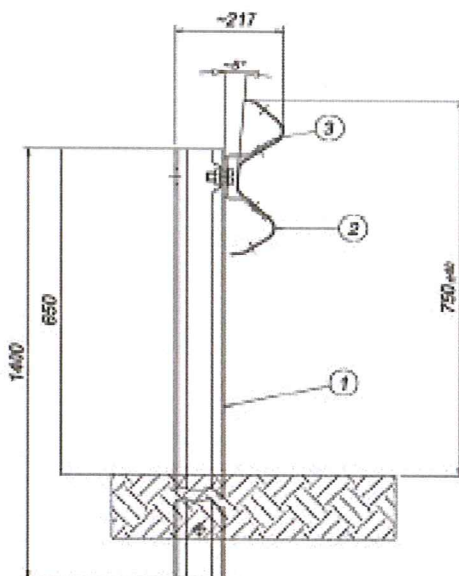
Hot dip galvanization according to UNI EN ISO 1461

Nuts and bolts according to UNI EN ISO 898-1, UNI EN 20898-2

The safety barrier has successfully passed the tests required by EN 1317, part 1 and 2.



NR	CODE	DESCRIPTION	MATERIAL	QTY per SET
1.	Z-FR379	HDG POST C100X50X25 H1400 T5mm S355	S355JR	2
2.	Z-FR381	HDG BLADE 4000 2W T2.5mm S355	S355JR	1
3.	Z-FR383	HDG SPACER 158X90X70X5 S355JR	S355JR	2
4.	LL-7-3N30162	THREADED ROD M16X200 DIN 976 HDG 4.8	4.8	2
5.	LL-M16.45.03	BOLTM16X45 DIN933HDG 8.8.	8.8	2
6.	LL-M16.30.06	BOLT M16X30 LARGE HEAD HDG 8.8 AM	8.8	12
7.	LL-N16.00	NUT M16 DIN 934 HDG 8	8	18
8.	LL-W16.03	WASHER M16X17X35X3 HDG		12
9.	LL-W16.01	WASHER A17 M16 DIN125A HDG		4



Tightening torque of nuts and bolts		
BOLTS	TORQUE (Nm)	
For connection Blade-Blade and Blade-spacer	90	+20
Blade-post (in end element)		-10
Spacer-Post	60	+5
		-5

