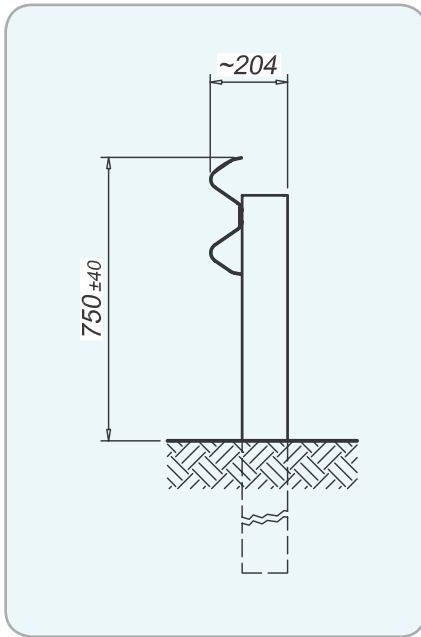


## SINGLE SIDED SAFETY BARRIER ON GROUND - "N2-B-W2" (B29707)



### Performance

Containment level	N2
Acceleration Severity Index "ASI"	B
Working width	W2 (0.80m)
Extreme lateral position of the vehicle	-

### Characteristics

Height out of ground	750 mm
Transversal overall dimensions	204 mm
Centre to centre between posts	2000 mm
Tested minimum length	54 m



### Description

Supply and erection of 2-waves safety barrier, thickness 2.5 mm, U posts 120x80x5.0, h. 1500 mm, driven into the ground every 2000 mm, nuts and bolts and reflectors.

S235-275-355JR steel in quality-according EN 10025

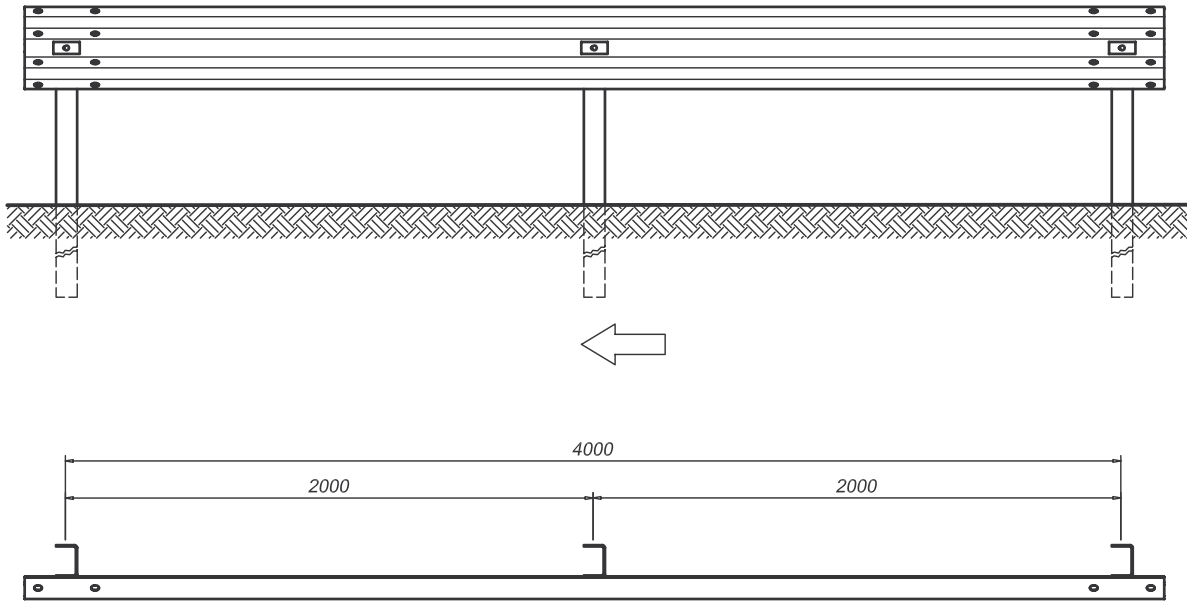
Hot dip galvanization according EN ISO 1461

Nuts and bolts according EN ISO 898 - EN 20898 - UNI 3740/6

All particulars are in accordance with crash tests requirements.

Revision 1 of 17/09/2008

### Elevation



### Section

Description	
1	U Post 120x80x5 mm H=1500 mm
2	Aashto beam c/c 4000 mm th. 2,5 mm with central hole
3	Plate 100x45x5 mm

