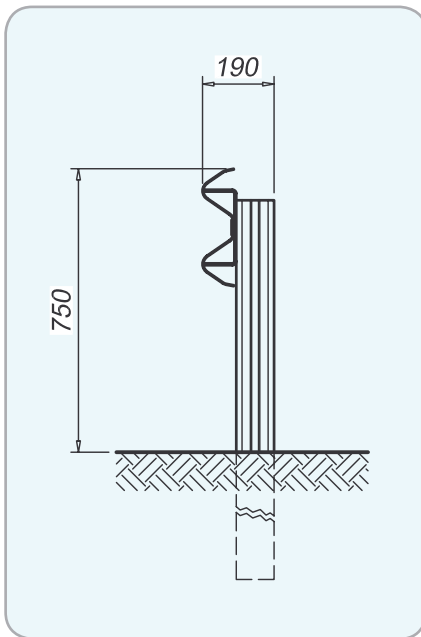


## SINGLE SIDED SAFETY BARRIER ON GROUND - "N2-A-W6" (B22435)



### Performance

Containment level	N2
Acceleration Severity Index "ASI"	A
Working width	W6 (2.09m)
Extreme lateral position of the vehicle	-

### Characteristics

Height out of ground	750 mm
Transversal overall dimensions	190 mm
Centre to centre between posts	4000 mm
Tested minimum length	100 m



### Description

Supply and erection of 2-waves safety barrier, thickness 3.0 mm, SIGMA posts 100x55x4.2, h. 1900 mm, driven into the ground every 4000 mm, U spacers 200x85x5 mm, nuts and bolts and reflectors.

S235-275-355JR steel in quality-according EN 10025

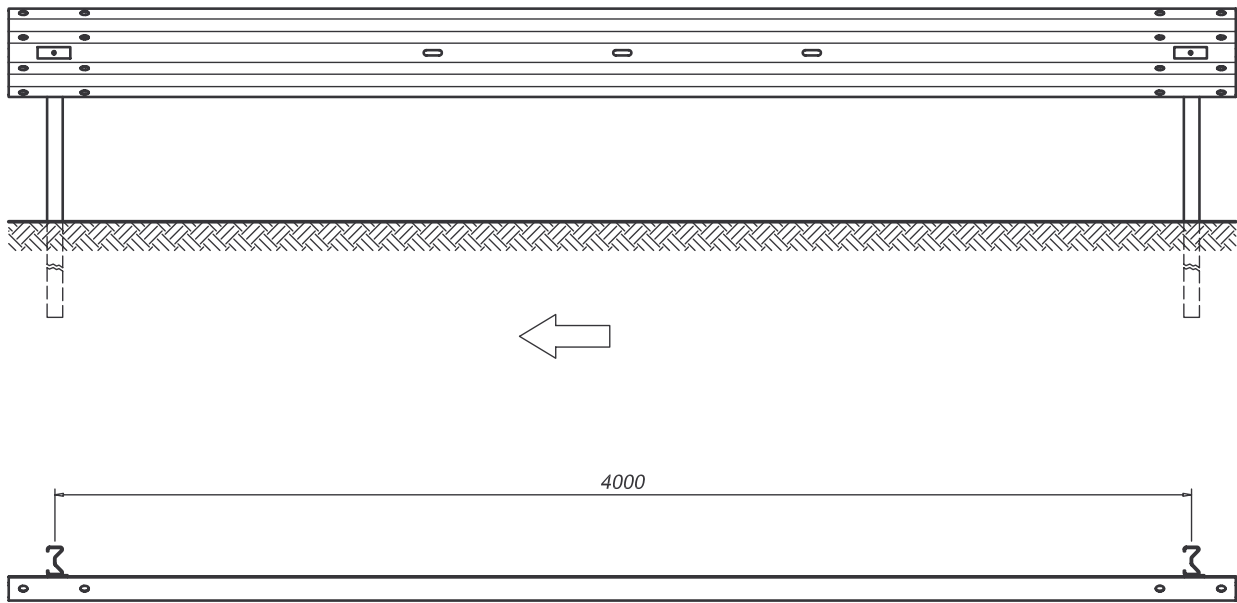
Hot dip galvanization according EN ISO 1461

Nuts and bolts according EN ISO 898 - EN 20898 - UNI 3740/6

All particulars are in accordance with crash tests requirements.

Revision 1 of 17/09/2008

### Elevation



### Section

Description	
1	SIGMA post 100x55x4,2 mm H=1900 mm
2	Aashto beam c/c 4000 mm th. 3,0 mm
3	U Spacer 200x84x5 mm L=70 mm
4	Plate 115x40x5 mm

