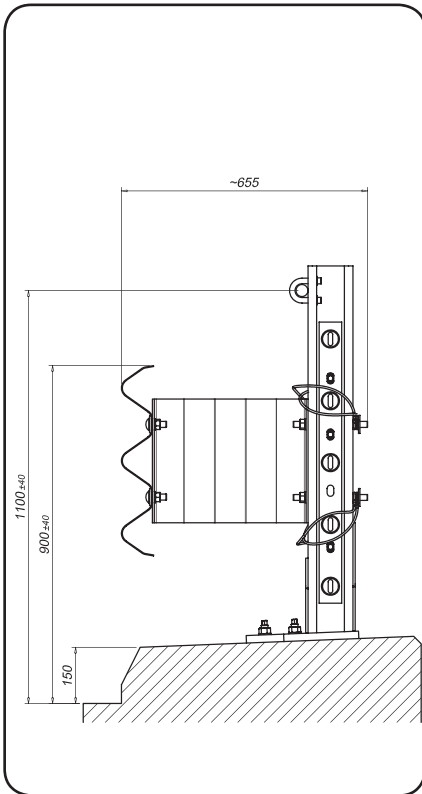


## SINGLE SIDED SAFETY BARRIER ON BRIDGE H2-B-W5 (3n32920)

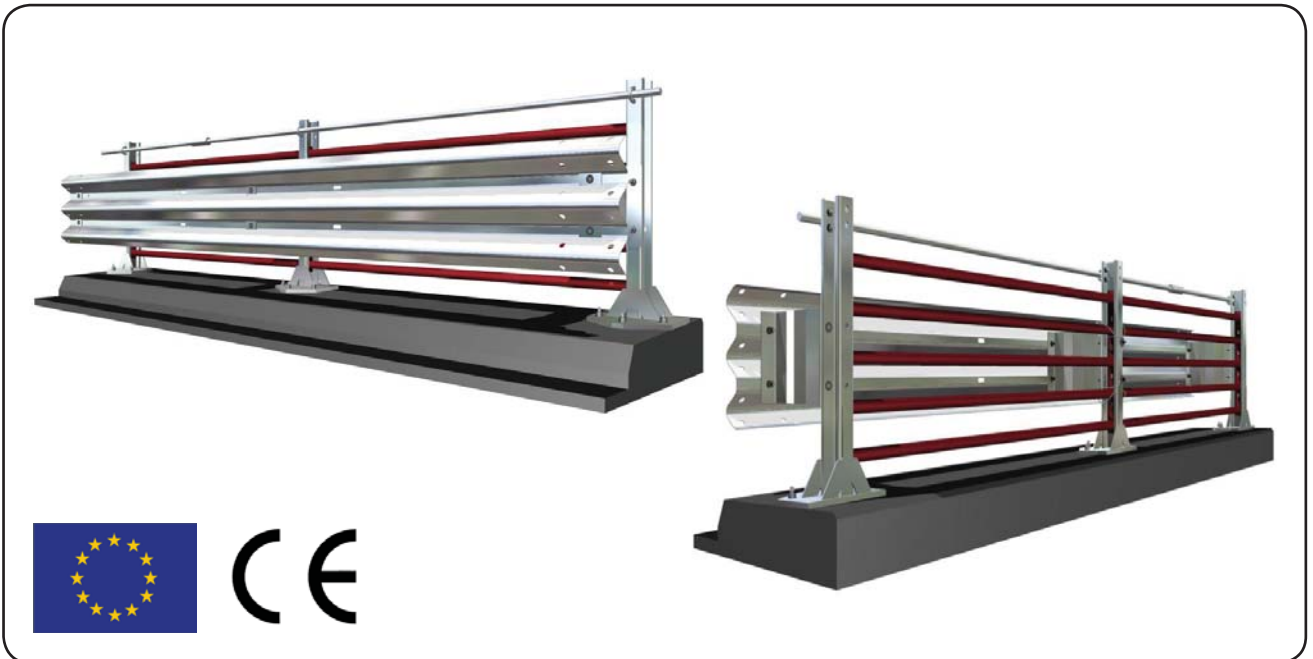


### Performance

Containment level	H2
Acceleration Severity Index "ASI"	B
Working width	W5 (1.65m)
Extreme lateral position of the vehicle	-

### Characteristics

Height out of ground	1100 mm / 900 mm
Transversal overall dimensions	655 mm
Centre to centre between posts	2250 mm
Tested minimum length	81 m



### Description

Supply and installation of 3-waves safety barrier, thickness 2,5 mm, C posts 120x80x30 mm x 5,9 mm thick, H= 980 mm with plate 20 mm fixed to the ground every 2250 mm by anchor bolts, spacers 415x80 mm, thickness 5 mm, energy releaser-bracer  $\varnothing$  32 mm L= 9000 mm, parapet frame composed by steel tube  $\varnothing$  48,3 mm (red parts in the above renders), nuts and bolts and reflectors.

S235JR-S275JR-355JR steel in quality according to EN 10025

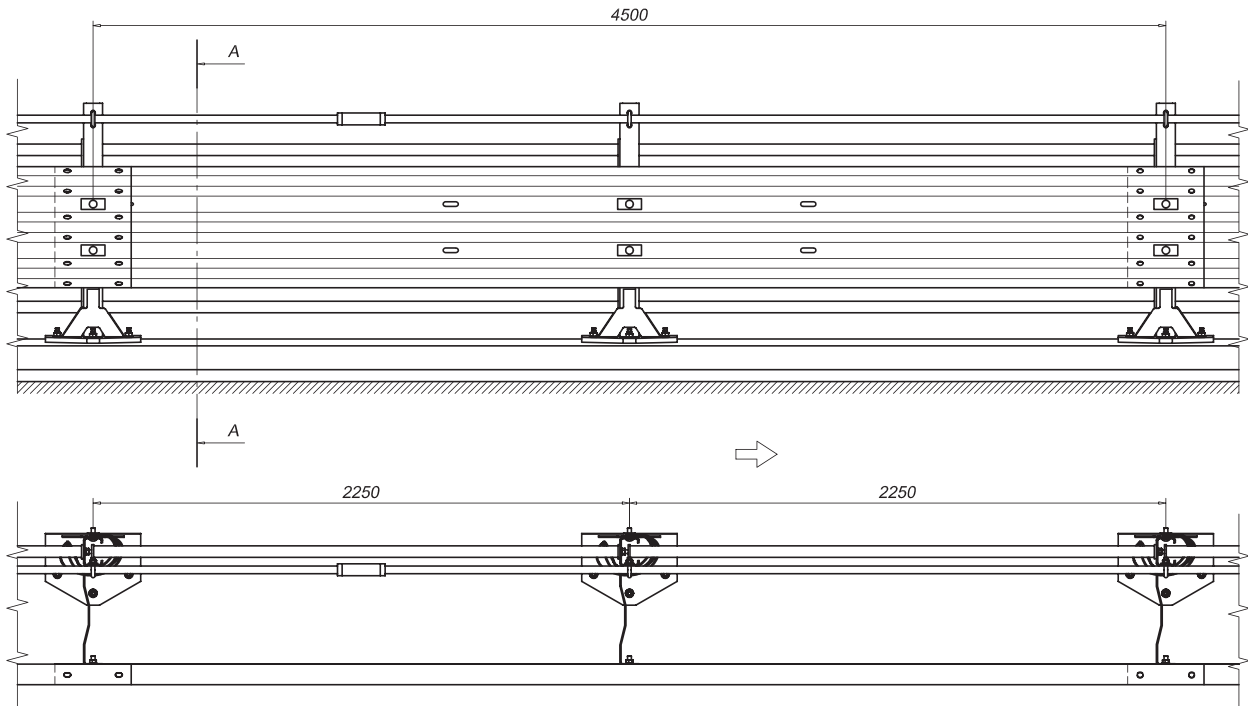
Hot dip galvanization according to EN ISO 1461: 2009

Nuts and bolts according to EN ISO 898 - EN 20898 - UNI 3740/6

Certificate CE n. AISICO/058/CPD/2010

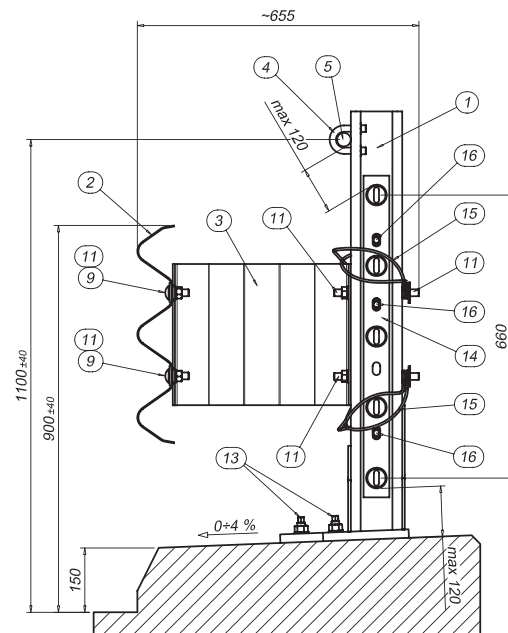
Revision 2 of 20/11/2010

### Elevation



### Section

	Description
1	"3n" Post C120x80x30 mm x 5,9 mm thick, H= 980 mm + plate 20 mm thick
2	"3n" Beam c/c 4500 mm, 2,5 mm thick
3	"3n" Spacer 415x80x5 mm x L=330 mm
4	Clamp M16 partially threaded
5	Threaded bar $\varnothing$ 32 mm x L=9000 mm
6	Connector
7	Lock nut
8	Plate 100x45x5 mm
9	Cover plate 100x45x5 mm
10	Screw M16 x 30 with nut and washer
11	Screw M16 x 45 with nut and washer
12	Nut M16
13	M18 TSM B16 anchor bolts L=190 mm + nut and washer
14	Parapet frame composed by steel tube $\varnothing$ 48,3 mm
15	Wire $\varnothing$ 5 mm
16	Screw TE M16 x 70 UN5739 with nut and washer
17	Washer UNI6539
18	Nut M16

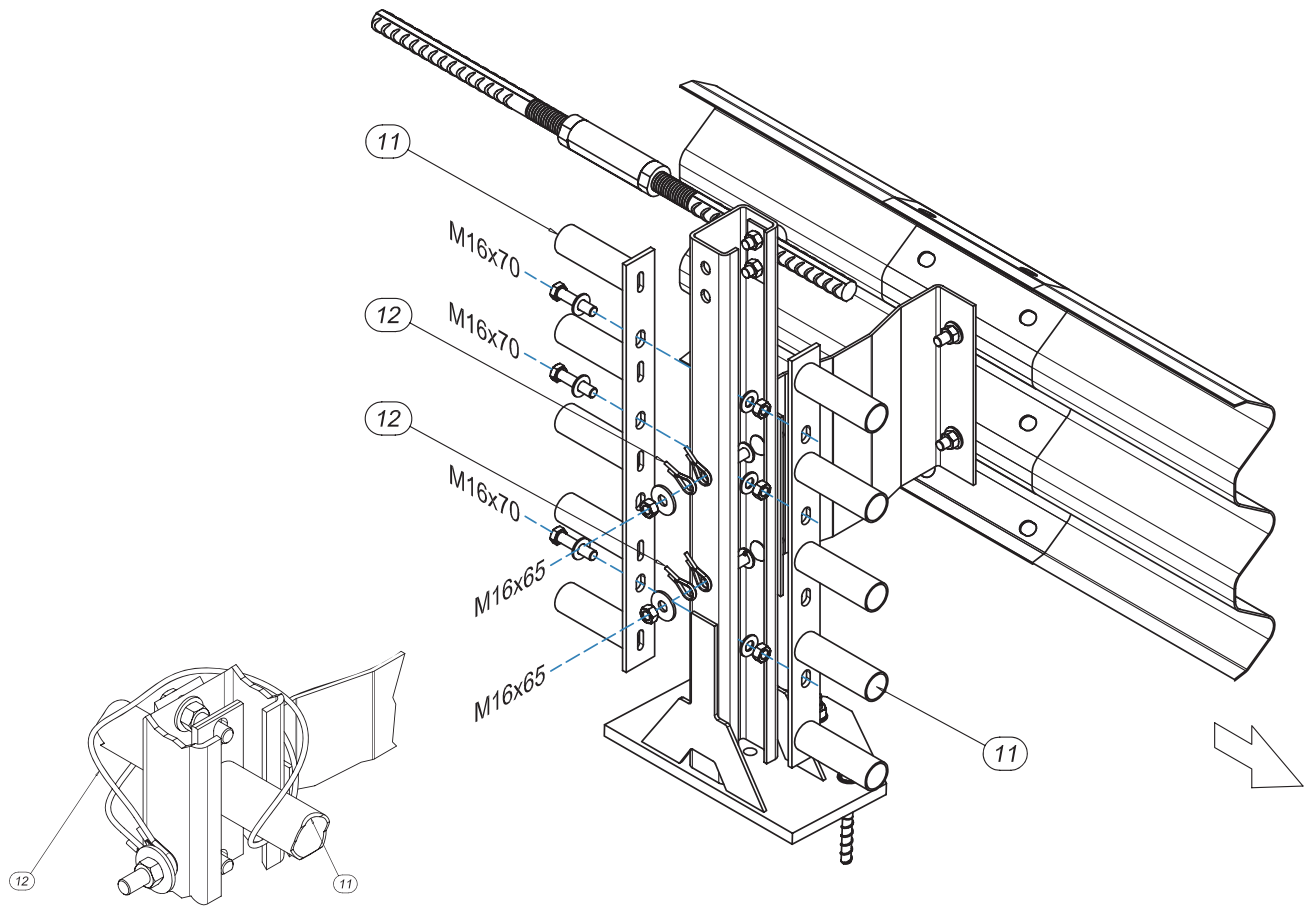


#### Torque value

Bolts M16	90 Nm
Connectors	30 Nm
Anchor bolts M18	40 Nm



## SINGLE SIDED SAFETY BARRIER ON BRIDGE H2-B-W5 (3n32920)



	Description
1	"3n" Post C120x80x30 mm x 5,9 mm thick, H= 980 mm + plate 20 mm thick
2	"3n" Beam c/c 4500 mm, 2,5 mm thick
3	"3n" Spacer 415x80x5 mm x L=330 mm
4	Clamp M16 partially threaded
5	Threaded bar $\varnothing$ 32 mm x L=9000 mm
6	Connector
7	Lock nut
8	Plate 100x45x5 mm
9	Cover plate 100x45x5 mm
10	Screw M16 x 30 with nut and washer
11	Screw M16 x 45 with nut and washer
12	Nut M16
13	M18 TSM B16 anchor bolts L=190 mm + nut and washer
14	Parapet frame composed by steel tube $\varnothing$ 48,3 mm
15	Wire $\varnothing$ 5 mm
16	Screw TE M16 x 70 UN5739 with nut and washer
17	Washer UNI6539
18	Nut M16

Torque value	
Bolts M16	90 Nm
Connectors	30 Nm
Anchor bolts M18	40 Nm

Revision 2 of 20/11/2010